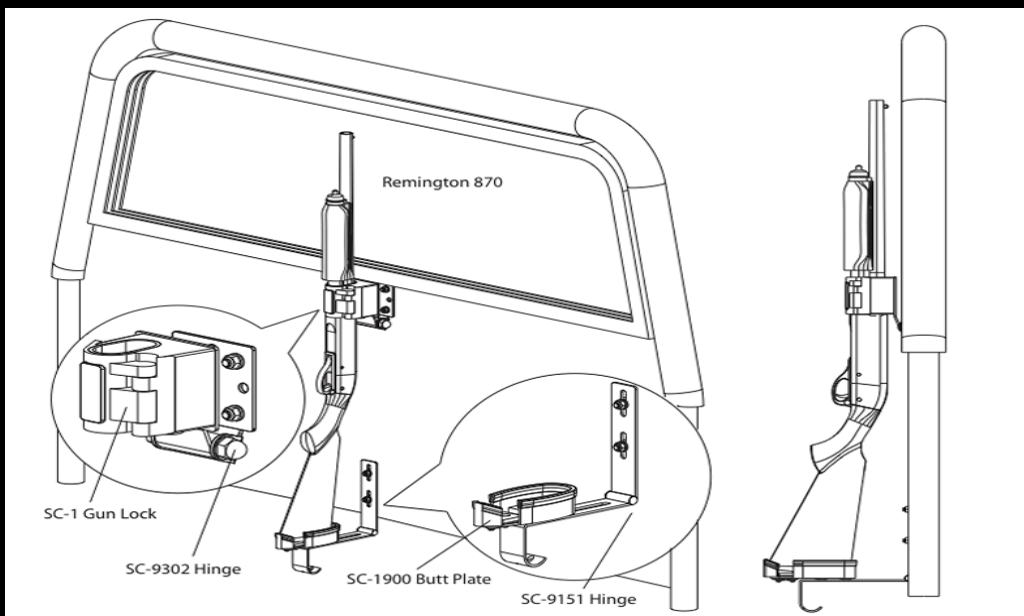


# SANTA CRUZ GUNLOCKS Weapon Setup Selection Chart

Weapons	Setups					
	Partition Wall Bracket (muzzle up)	Muzzle Down on the Passenger Side	Overhead on the Roll Bar	Fixed Wall/Trunk	Adjustable Wall/Trunk	Dual Weapon Set-up on the Partition Wall
<b>Pump Shotguns</b> Remington 870 Winchester 1300 Mossberg 500/590 FN Tactical Police Benelli M3 & most others	<a href="#"><u>SC-915-1</u></a> <a href="#"><u>SC-915-5</u></a> <a href="#"><u>SC-915-5-A</u></a>	<a href="#"><u>SC-931-1</u></a>	<a href="#"><u>SC-934-1</u></a> <a href="#"><u>SC-934-1B</u></a> <a href="#"><u>SC-934-5</u></a> <a href="#"><u>SC-934-5-A</u></a> <a href="#"><u>SC-934-AR</u></a>	<a href="#"><u>SC-916-1</u></a> <a href="#"><u>SC-916-1B</u></a> <a href="#"><u>SC-916-5</u></a>	<a href="#"><u>SC-917-B</u></a> <a href="#"><u>SC-917-MS</u></a>	If you don't change weapons in set-up Pump Shotgun & Rifle SC-915-D-15
<b>Specials</b> Remington Express Mossberg Heatshield Benelli Nova	<a href="#"><u>SC-915-5</u></a> <a href="#"><u>SC-915-5-A</u></a> <a href="#"><u>SC-915-AR</u></a>		<a href="#"><u>SC-934-1B</u></a> <a href="#"><u>SC-934-5</u></a> <a href="#"><u>SC-934-5-A</u></a>  <a href="#"><u>SC-934-AR</u></a>	<a href="#"><u>SC-916-1B</u></a> <a href="#"><u>SC-916-5</u></a> <a href="#"><u>SC-916-AR</u></a>	<a href="#"><u>SC-917-B</u></a> <a href="#"><u>SC-917-MS</u></a>	
<b>Auto Shotguns</b> Remington 11-87 Benelli M4 M2 Beretta 1201 FP	<a href="#"><u>SC-915-5</u></a> <a href="#"><u>SC-915-5-A</u></a> <a href="#"><u>SC-915-AR</u></a>		<a href="#"><u>SC-934-1B</u></a> <a href="#"><u>SC-934-5</u></a> <a href="#"><u>SC-934-5-A</u></a> <a href="#"><u>SC-934-AR</u></a>	<a href="#"><u>SC-916-1B</u></a> <a href="#"><u>SC-916-5</u></a> <a href="#"><u>SC-916-AR</u></a>	<a href="#"><u>SC-917-B</u></a> <a href="#"><u>SC-917-MS</u></a>	
<b>Rifles</b> Colt M-16, M-4 Colt AR-15 Ruger Mini 14 Heckler & Koch M-5 Heckler & Koch G36 SIGARMS 550 Series AK-47	<a href="#"><u>SC-915-5</u></a> <a href="#"><u>SC-915-5-A</u></a> <a href="#"><u>SC-915-AR</u></a>	<a href="#"><u>SC-931-5</u></a>	<a href="#"><u>SC-934-1B</u></a> <a href="#"><u>SC-934-5</u></a> <a href="#"><u>SC-934-5-A</u></a> <a href="#"><u>SC-934-AR</u></a>	<a href="#"><u>SC-916-1B</u></a> <a href="#"><u>SC-916-5</u></a> <a href="#"><u>SC-916-AR</u></a>	<a href="#"><u>SC-917-B</u></a> <a href="#"><u>SC-917-MR</u></a>	

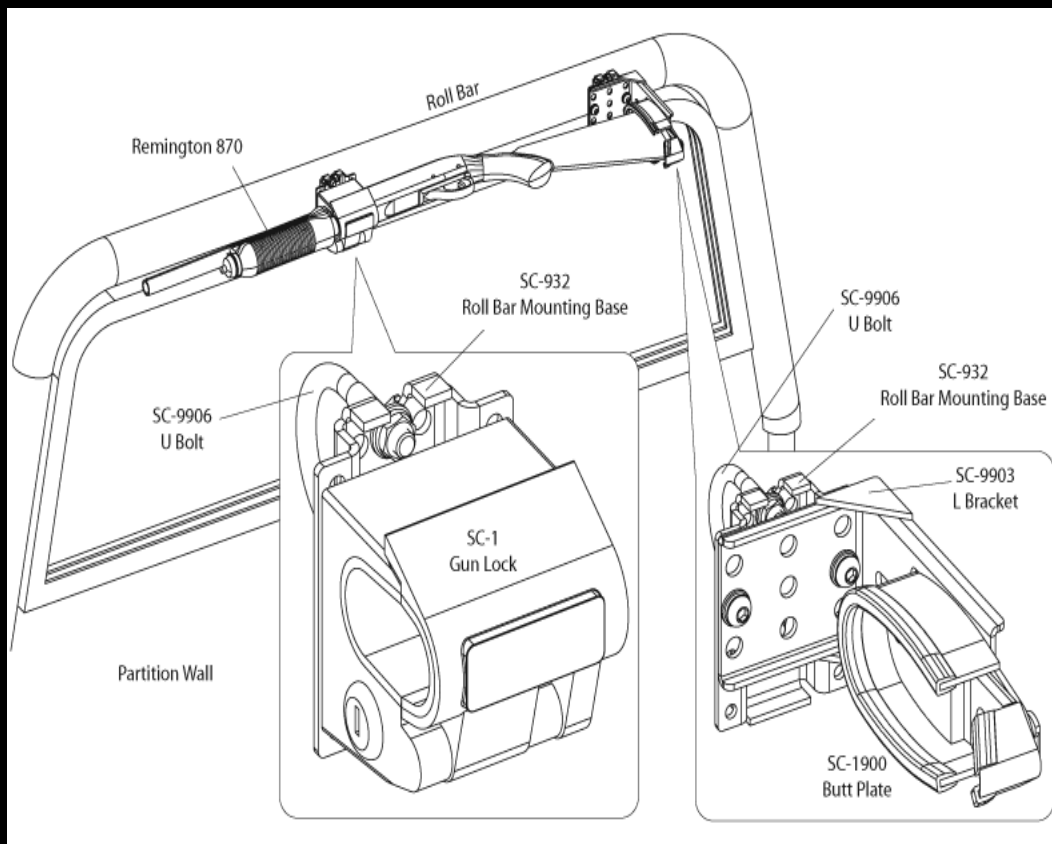
**SETUP EXAMPLES: (NOT ALL ARE SHOWN, CONTACT Public Safety Equipment Company LLC FOR OTHER SETUP OPTIONS.)**



## SC-915-1

Complete installation kit for regular pump shotguns  
 Components included:

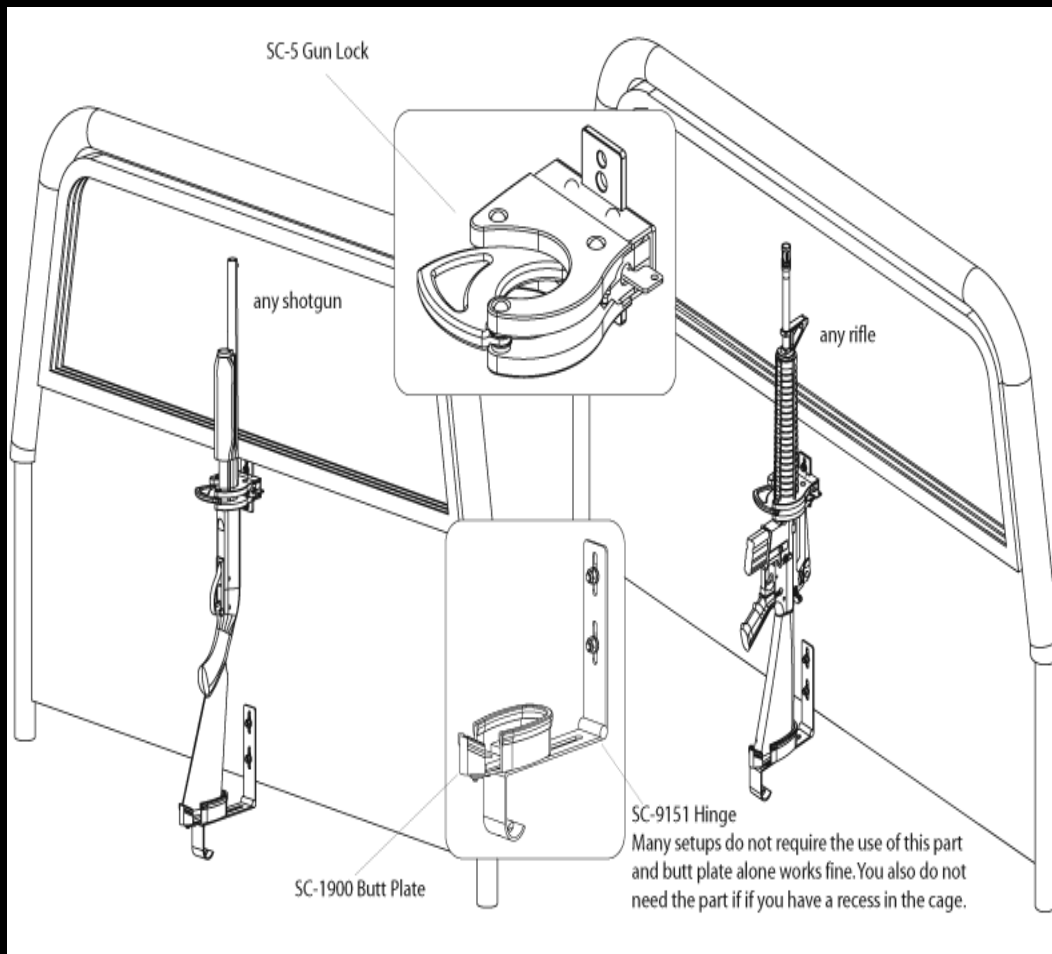
- SC-1 gun lock (specify key: #2 or handcuff)
- SC-1900 or 1901 butt plate
- SC-9151 butt plate hinge
- SC-9302 mounting hinge
- nuts and bolts
- installation instructions



### SC-934-1

Complete installation kit for regular pump shotguns  
Components included:

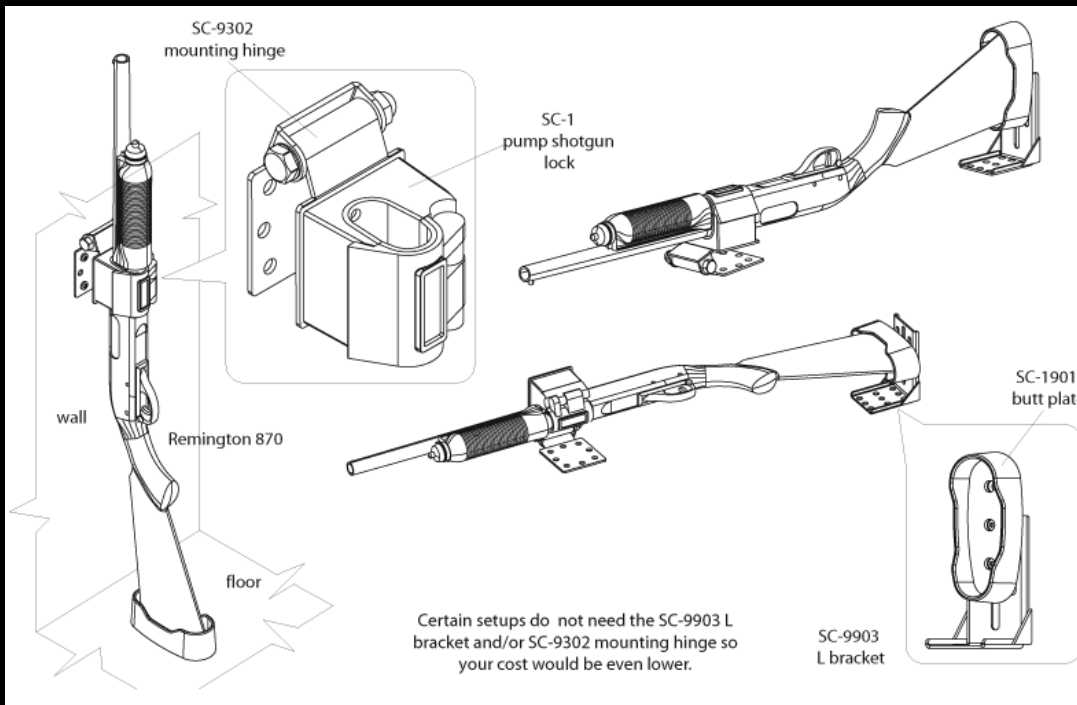
- SC-1 gun lock (specify key: #2 or handcuff)
- SC-1900 or 1901 butt plate
- SC-932 roll bar mounting base
- SC-9906 U bolt
- SC-9903 L bracket
- nuts and bolts
- installation instructions



### SC-915-5

Complete installation kit for shotguns or rifles  
Components included:

- SC-5 gun lock (specify key: #2 or handcuff)
- SC-1900 or 1901 butt plate
- SC-9151 butt plate hinge
- nuts and bolts
- installation instructions

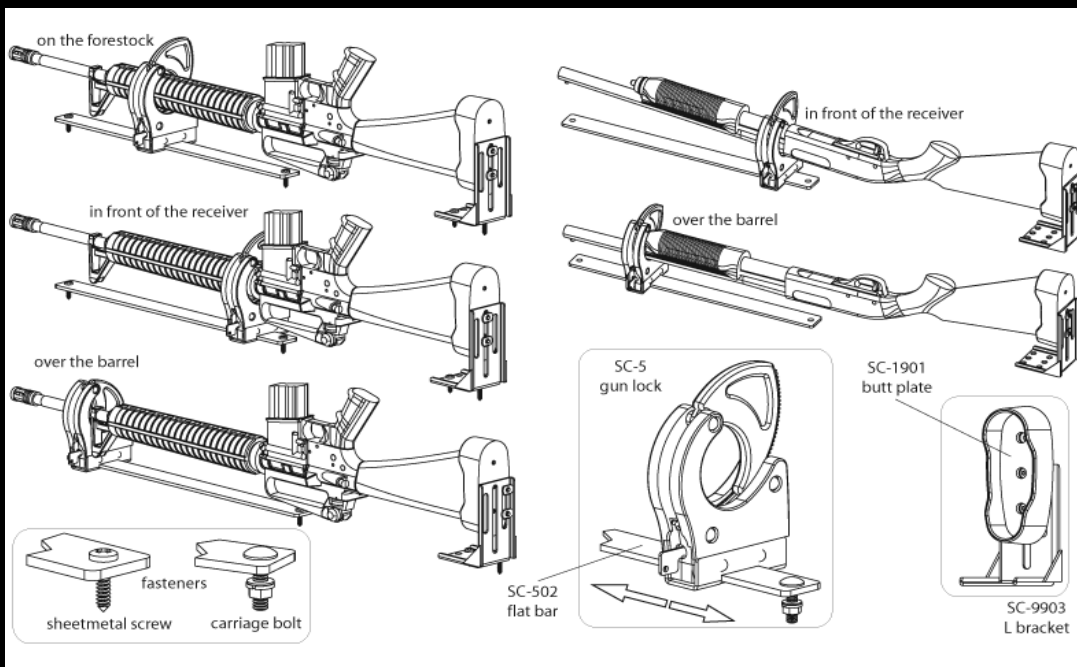


### SC-916-1

Complete installation kit for a fixed wall/trunk setup.

Components included:

- SC-1 gun lock (specify key: #2 or handcuff)
- SC-1900 or 1901 butt plate
- SC-9302 mounting hinge
- SC-9903 L bracket
- nuts and bolts
- installation instructions



### SC-917-B

Installation kit for a flexible wall/trunk setup.

Components:

- SC-5 gun lock (specify key: #2 or handcuff)
- SC-1900 or 1901 butt plate
- SC-502 18" flat bar
- SC-9903 L bracket
- nuts and bolts
- installation instructions

# PSECO

[www.psecollc.com](http://www.psecollc.com)

Public Safety Equipment Company LLC

PO Box 306

Sturgis, SD 57785

605-720-7732

[sales@psecollc.com](mailto:sales@psecollc.com)